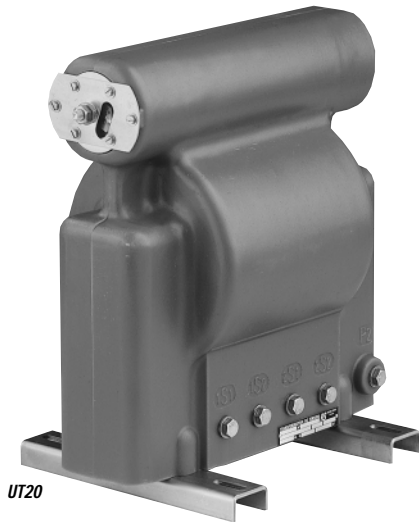


# SINGLE PHASE 1 OR 2-POLE VOLTAGE TRANSFORMERS WITH FUSE - UT AND CT SERIES



- **Indoor**
- **3.6 - 7.2 - 12 - 17.5 - 24 - 36 kV**
- **with 1 or 2 HBC protection fuses**
- **Compact size**

1 or 2-pole voltage transformers vacuum moulded in self extinguishing epoxy resin for the measurement of AC voltages between phases or between phase and earth up to 36kV. These compact voltage transformers are equipped with 1 or 2 protection fuses of 6.3A rating. They are also suitable for the power supply of auxiliaries up to 2500VA.

## Technical data

Rated insulation level	3.6/16/45 kV to 36/70/170 kV
Primary voltage $U_{pn}$	Up to 33000: $\sqrt{3}$ V
Secondary voltage $U_{sn}$	100: $\sqrt{3}$ - 110: $\sqrt{3}$ V
Frequency	50 or 60 Hz
Rated output	Up to 100 VA cI0.2 - 150 VA cI0.5 - 300VA cI1
Accuracy class	0.1 - 0.2 - 0.5 - 1 - 3 - 3P - 6P
Voltage factor	1.9 $U_{pn}$ 30s for single pole 1.2 $U_{pn}$ for double pole
Thermal limiting output	Up to 2500 VA
Insulation class	A
Fuses	6.3A
Ambient temperature	-40 °C to + 70 °C
Standards	CEI 60044-2 - NF C42501 - VDE 0414 - BS 3941

## Other characteristics on request

Secondary voltage $U_{sn}$	10 to 400 V
Voltage factor	1.9 $U_{pn}$ 8h for single pole
Ambient temperature	Up to +110 °C
Secondary windings	Up to 3 separate secondary windings
Residual voltage winding	100:3 V - 50VA cI3 - Delta connection on a 68.1 $\Omega$ or 150W resistor
Standards	ANSI C57.13 - CAN3 C13 - AS 1675

# SINGLE PHASE 1 OR 2-POLE VOLTAGE TRANSFORMERS WITH FUSE - UT AND CT SERIES

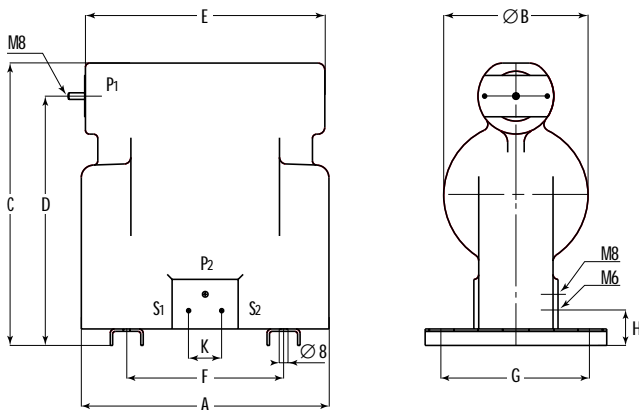
Selection table

Type	Un kV	Up kV	Rated output maximum VA			Thermal output VA
			cl 0.5	cl 1	cl 3	
1 - pole						
UT20	24/50/125	up to 22: $\sqrt{3}$	100	150	400	up to 750
UT15	24/50/125	up to 22: $\sqrt{3}$	150	250	1000	up to 1500
2 - pole						
CT12	12/28/75	up to 11	100	200	600	up to 1000
CT15	24/50/125	up to 22	150	250	1000	up to 1500
CT30	36/70/170	up to 35	150	300	1000	up to 2500

Dimensions

Type	Weight kg	A mm	B mm	C mm	D mm	E mm	F mm	G mm	H mm	J mm	K mm
UT 20	28	300	175	350	310	295	190	200	42	-	40
UT 15	35	350	190	385	350	295	300	200	80	-	40
CT 12	31	305	260	320	280	200	190	200	52	179	40
CT 15	45	350	260	342	302	290	300	200	75	179	40
CT 30	80	420	260	475	430	392	265	200	80	170	40

## UT



## CT

