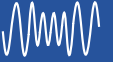




M3534

Voltage Regulator

Undervoltage Solutions for AC Drives



Bonitron Undervoltage Ride-Thru Solutions, also known as Uninterruptible Power for Drives, include a DC Voltage Regulator (M3534) that monitors the drive. If the drive voltage sags or disappears, the Voltage Regulator becomes active and provides power to the DC bus. This allows critical processes to never see the disturbance and can continue operating at full power. Thanks to Bonitron's parallel connection, very low standby power and long product life can be expected.

The M3534 Series is offered in two versions: The M3534R and M3534B.

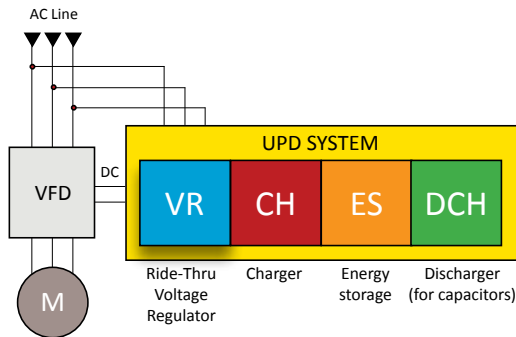
The **M3534R** is a Voltage Regulator that protects drives and processes from 2-second power sags. It can also be used with energy storage, such as electrolytic or ultracapacitors, to protect from outages lasting up to 2 seconds.

The **M3534B** is a Battery Voltage Regulator that is used with energy storage, such as batteries, to protect drives and processes from outages lasting up to 60 seconds to allow time for generator startup. With seamless power transfer, the M3534B (with appropriate components - M3528 Charger and Batteries) allows seamless power transfer from the grid, to Bonitron, to generator.

For ratings above 85A or 60 seconds, see the M3460 Series.

M3534B & M3534R

Units can be retrofitted with energy storage if future needs require full outage protection.



Product Highlights

- Hooks directly to drive DC bus connections
- Parallel connection for increased reliability
- On-line test without impacting process
- Small footprint
- Increased process availability

Industry Applications



Critical Data | Elevators | Extrusion | Fibers | Semiconductor | Textiles | & More!



www.bonitron.com



615-244-2825

info@bonitron.com



Model Number Selection

Current	Power	Max. On-Time (at rating)	Model Number	Dimensions (H x W x D)
230 - 240 VAC				
20 A	6 kW	2 Seconds	M3534R-L006-A5	18.60 x 5.10 x 9.40"
40 A	12 kW	2 Seconds	M3534R-L012-K7	19.90 x 7.38 x 10.30"
		60 Seconds	M3534B-L012-K9	20.00 x 9.05 x 10.25"
85 A	25 kW	2 Seconds	M3534R-L025-A9	22.10 x 8.70 x 10.30"
380 - 415 VAC				
20 A	10 kW	2 Seconds	M3534R-E010-A5	18.60 x 5.10 x 9.40"
40 A	20 kW	2 Seconds	M3534R-E020-K7	19.90 x 7.38 x 10.30"
		60 Seconds	M3534B-E020-K9	20.00 x 9.05 x 10.25"
85 A	42 kW	2 Seconds	M3534R-E043-A9	22.10 x 8.70 x 10.30"
460 - 480 VAC				
20 A	12 kW	2 Seconds	M3534R-H012-A5	18.60 x 5.10 x 9.40"
40 A	24 kW	2 Seconds	M3534R-H024-K7	19.90 x 7.38 x 10.30"
		60 Seconds	M3534B-H024-K9	20.00 x 9.05 x 10.25"
85 A	50 kW	2 Seconds	M3534R-H050-A9	22.10 x 8.70 x 10.30"

Specifications

Input AC Line..... 208 - 480 VAC
Output DC Bus..... 265 - 650 VDC
Bus Current Rating..... 20 – 85 ADC
Power Rating..... 6 - 50 kW
Run Time..... 2 seconds – 60 seconds



Digital Display

The ASM 3660DD4 is an interactive digital display for the 3460 Series that monitors and stores history of power quality issues, including status, voltage, and current.

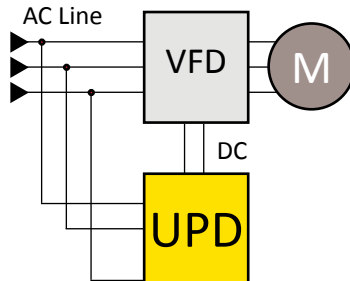
Complete Systems available for simple installation

Parallel Connection

- High Reliability
- Seamless power transfer

Increased Efficiency

- Ultra low standby power
- Sized to drive systems
- Few AC/DC conversions



Learn more at Bonitron.com/undervoltage



Scan for more Information